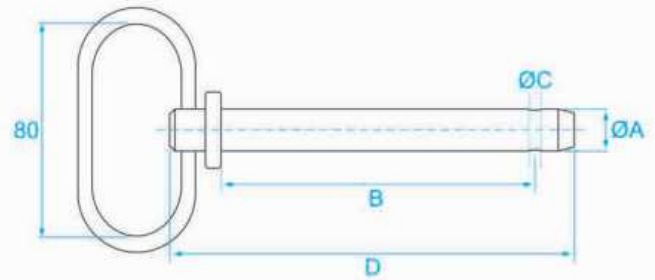




Let's Win... Together

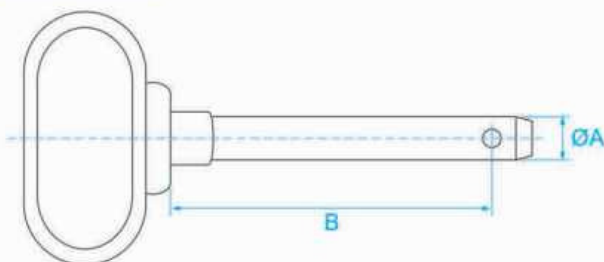
HITCH PIN WITH HAIR PIN SPINOTTO D' ATTACCO

CODE	A	B	C	D
EHPWRP12090	12.7	90	4	125
EHPWRP12105	12.7	105	3	142
EHPWRP12110	12.7	110	4	147
EHPWRP16105	15.9	105	4	136
EHPWRP16149	15.9	149	3.5	186
EHPWRP16162	16	162	4	199
EHPWRP19098	19	98	4.5	130
EHPWRP19110	19	110	4.5	147
EHPWRP19157	19	157	4.5	194
EHPWRP19162	19	162	4.5	199
EHPWRP22110	22	110	5	147
EHPWRP22157	22	157	5	194
EHPWRP22162	22	162	5	199
EHPWRP25103	25	103	5	140
EHPWRP25110	25.4	110	5.5	147
EHPWRP25158	25	158	6	194
EHPWRP25162	25	162	6	199
EHPWRP25181	25	181	6	214
EHPWRP25118	25	118	6	155
EHPWRP28183	28	183	7	220
EHPWRP28162	28.6	162	6.5	199
EHPWRP32162	32	162	7	199



RED HANDLE HITCH PIN SPERNI RIGIDI CON MANIGLIAN GOMMA

CODE	A	B
ERHHP12095	12.7	95
ERHHP16105	15.8	105
ERHHP16143	15.8	143
ERHHP19105	19	105
ERHHP19165	19	165
ERHHP22105	22	105
ERHHP22165	22.4	165
ERHHP25118	25.4	115
ERHHP25133	25.4	133
ERHHP25203	25.4	203
ERHHP28220	28.5	220
ERHHP32220	31.75	220
ERHHP38220	38.1	220





PINS



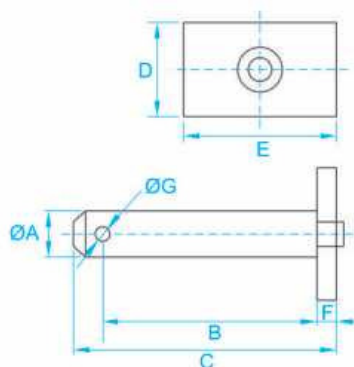
Let's Win... Together

SQUARE HEAD PINS

PERNIA TESTA QUADRA FIAT

CODE	A	B	C	D	E	F	G
ESHP19088	19	88	109	40	65	8	6
ESHP24088	24	88	109	40	65	8	6

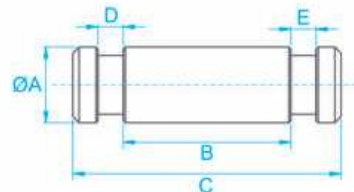
(also available Rectangular Head Pins)



CYLINDER PINS

PERNO DEL CILINDRO

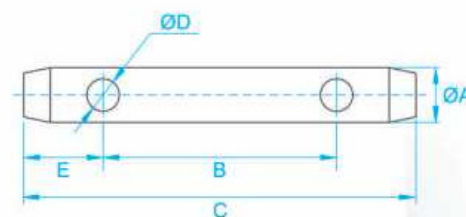
CODE	A	B	C	D	E
ECLP18052	18	52	70	6	6
ECLP18072	18	72	90	6	6
ECLP18082	18	82	100	6	6
ECLP20058	20	58	76	6	6
ECLP22052	22	52	70	6	6
ECLP24091	24	91	109	6	6
ECLP26057	26	57	76	6	6
ECLP28091	28	91	109	6	6



TOP LINK PIN WITHOUT HEAD

PERNO CON VERSO L'ESTERNO LA TESTA

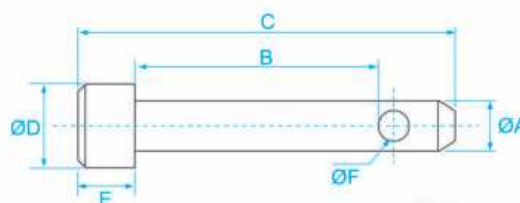
CODE	A	B	C	D	E
ETLPOH19140	19	96	140	12	22
ETLPOH19170	19	126	170	12	22
ETLPOH19207	19	163	207	12	22
ETLPOH19254	19	210	254	12	22
ETLPOH25164	25	120	164	12	22



SPECIAL TOP LINK PINS

PERNO D'ATTACCO ASALDARE

CODE	A	B	C	D	E	F
ETLP12057S	12	57	70	18	4	5
ETLP16081S	16	81	98	24	4.5	6.5
ETLP16059S	16	59	76	24	7	6.5
ETLP19060S	19	60	82	27	7	6.5
ETLP19093S	19	93	112	27	6	6.5
ETLP22120S	22	120	151	37	15	8.5
ETLP22135S	22	135	170	37	15	8.5
ETLP25120S	25	120	158	40	15	8.5
ETLP25175S	25	175	214	40	15	8.5
ETLP28155S	28	155	193	45	15	10.5
ETLP19080S	19	80	120	25	15	11.5
ETLP22060S	22	60	95	28	15	11.5
ETLP25085S	25	85	125	32	15	11.5
ETLP28060S	28	60	95	34	15	11.5

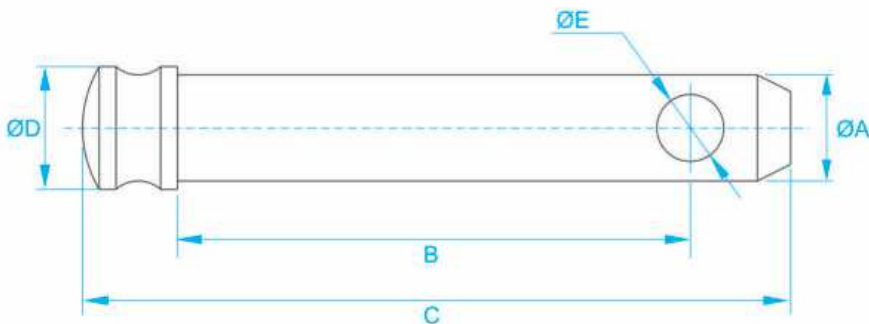




TOP LINK PIN

PERNO PER 3° PUNTO CON BATTUTA

CODE	A	B	C	D	E
ETLP16076	15.9	76	113	19	7
ETLP16082	15.9	82	112	19	7
ETLP19052	19	52	90	22	12
ETLP19057	19	57	90	22	12
ETLP19076	19	76	112	22	12
ETLP19092	19	92	127	22	12
ETLP19095	19	95	133	28	12
ETLP19105	19	105	135	28	10
ETLP19125	19	125	155	28	10
ETLP19145	19	145	175	28	10
ETLP22076	22	76	114	25	12
ETLP22094	22	94	132	25.4	12
ETLP22105	22	105	136	34	12
ETLP22110	22	110	140	25	12
ETLP22125	22	125	158	30	11
ETLP22145	22	145	178	30	11
ETLP25076	25	76	115	28	12
ETLP25085	25	85	124	32	11
ETLP25095	25	95	132	28	12
ETLP25125	25	125	156	32	11
ETLP25086	25.4	86	123	28	12
ETLP25110	25.4	110	148	28	12
ETLP25116	25.4	116	154	28	12
ETLP25142	25.4	142	180	28	12
ETLP28103	28	103	145	32	12
ETLP28125	28	125	156	34	12
ETLP28145	28	145	178	34	12
ETLP28159	28.6	159	197	32	12
ETLP31118	31.7	118	160	38	12
ETLP32105	32	105	145	42	12
ETLP32125	32	125	164	38	12
ETLP32136	32	136	175	38	12

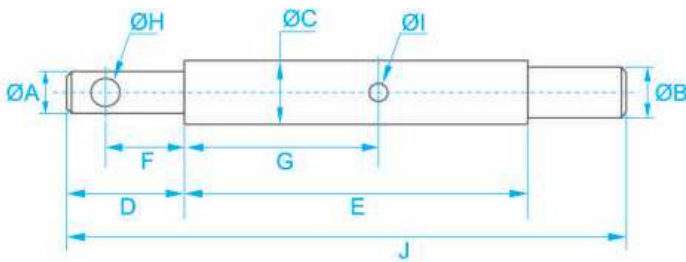




INTER CHANGEABLE IMPLEMENT MOUNTING PIN

PERNO INTERCambiabile PER ATTACCO ATTREZZI

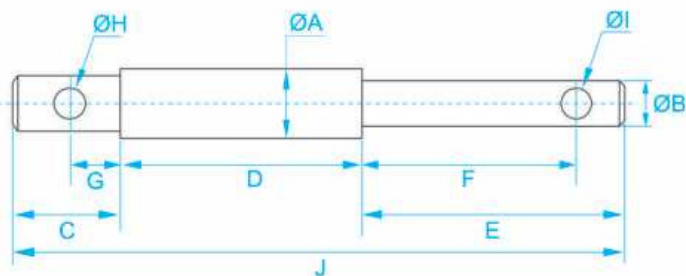
CODE	A	B	C	D	E	F	G	H	I	J
EDMP20200	22	22	28	55	115	40	67	12	6.5	200
EDMP25200	25	22	28	55	115	40	67	12	6.5	200



DOUBLE IMPLEMENT MOUNTING PIN

PERNO DOPPIO INTERCambiabile PER ATTACCO ATTREZZI

CODE	A	B	C	D	E	F	G	H	I	J
EDMP25210	25	19	40	70	100	80	20	12	12	210
EDMP25212	25	19	38	96	78	62	22	12	12	212
EDMP25170	25	19	26	66	78	70	18	6.5	6.5	170
EDMP28200	28	22	35	75	90	75	20	12	12	200
EDMP28210	28	22	40	70	100	80	20	12	12	210
EDMP28230	28	22	40	90	100	80	20	12	12	230
EDMP28229	28.6	22.2	40	89	100	80	20	12	12	229
EDMP32250	32	25	40	115	95	81	26	12	12	250
EDMP36277	36.5	28	36	150	91	81	26	12	12	277
EDMP36290	36.5	28	45	150	95	80	28	12	12	290

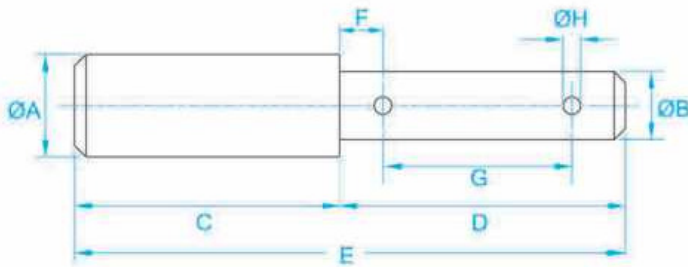




IMPLEMENT PIN

PERNO UNIVERSALE

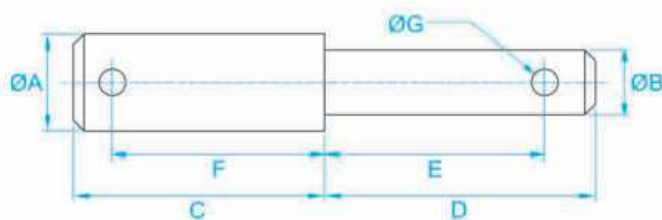
CODE	A	B	C	D	E	F	G	H
EDMP19156	19	16	74	82	156	16.5	55	5
EDMP22168	22	16	80	88	168	12	68	5
EDMP25166	25	19	85	81	166	18	53	5
EDMP25160	25	19	80	80	160	18	53	5
EDMP25180	25	19	90	90	180	18	57	5
EDMP28180	28	22	90	90	180	18	57	5
EDMP28175	28	22	90	85	175	16.5	50	6
EDMP28180	28	22	90	90	180	16.5	61	6
EDMP32178	32	25	83	95	178	18	62	6.5
EDMP32172	32	25	80	92	172	22	55	6.5



WELD ON END MOUNTING PIN

PERNO DOPPIO DA SALDARE PER ATTACCO ATTREZZI

CODE	A	B	C	D	E	F	G
EWOMP0	28	22	62.5	84.5	70.5	47	12
EWOMP1	28	22	76.5	104.5	88	60	12
EWOMP2	28	22	85	105	85	62	12
EWOMP3	28	22	103	78	60	87.3	12
EWOMP4	28	22 </td <td>120</td> <td>56</td> <td>39</td> <td>92</td> <td>12</td>	120	56	39	92	12
EWOMP5	28.6	22	76	105	87.3	60	12
EWOMP6	34	28	61	80	62	43.5	12

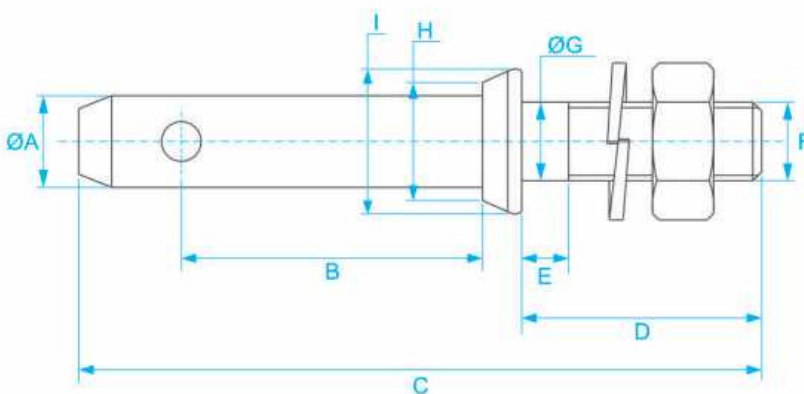




LOWER LINK PIN

PERNO PER ATTACCO ATTREZZI

CODE	A	B	C	D	E	F	G	H	I
ELLP2201M	22	50	130	40	5	20x1.5	20	32	38
ELLP2202M	22	50	140	40	14	22x1.5	22	30	38
ELLP2203M	22	50	140	40	14	22x1.5	28	30	38
ELLP2204U	22	51	149	54	11	7/8" UNF	22	30	36
ELLP2205U	22	51	140	48	6	3/4" UNF	19	30	36
ELLP2206U	22	51	140	43	11	5/8" UNF	22	30	36
ELLP2207U	22	51	146	38	22	7/8" UNF	28.6	30	36
ELLP2208U	22	51	146	50.8	9.5	7/8" UNC	28.6	32	38
ELLP2209U	22	51	146	50.8	9.5	1" UNF	25.4	30	36
ELLP2210U	22	51	138	38	14	7/8" UNF	28.6	30	36
ELLP2211M	22	51	128	38	10	20x1.5	20	30	36
ELLP2212M	22	51	128	38	10	20x1.5	20	30	36
ELLP2213M	22	60	150	40	20	22x1.5	22	32	38
ELLP2214M	22	60	150	40	20	22x1.5	28	32	38
ELLP2215M	22	60	146	40	20	22x1.5	25	32	32
ELLP2216U	22	51	140	45	10	7/8" UNF	22	30	34
ELLP2217U	22	64	165	56	16	7/8" UNF	22.2	32	38
ELLP2518M	25	60	150	40	20	22x1.5	25	34	40
ELLP2519M	25	60	150	40	20	22x1.5	28	32	38
ELLP2820M	28	50	155	30	50	30x2.0	30	48	50
ELLP2821M	28	55	150	45	14	22x1.5	24	36	42
ELLP2822M	28	55	150	45	15	24x1.5	24	37	43
ELLP2823M	28	55	150	45	14	27x1.5	28	38	43



PINS



JRS

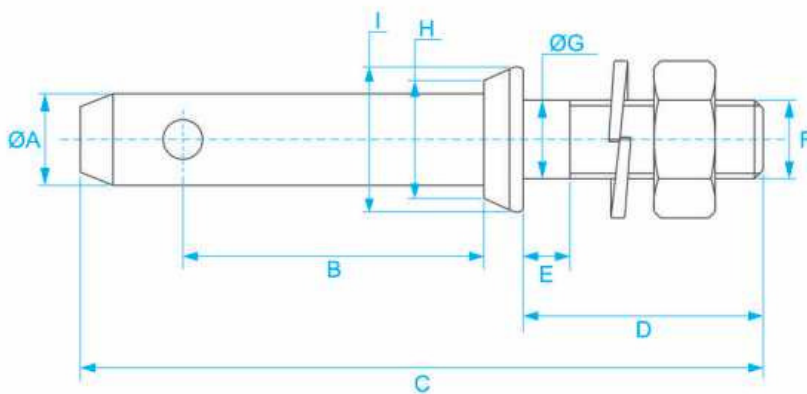
Let's Win... Together



LOWER LINK PIN

PERNO PER ATTACCO ATTREZZI

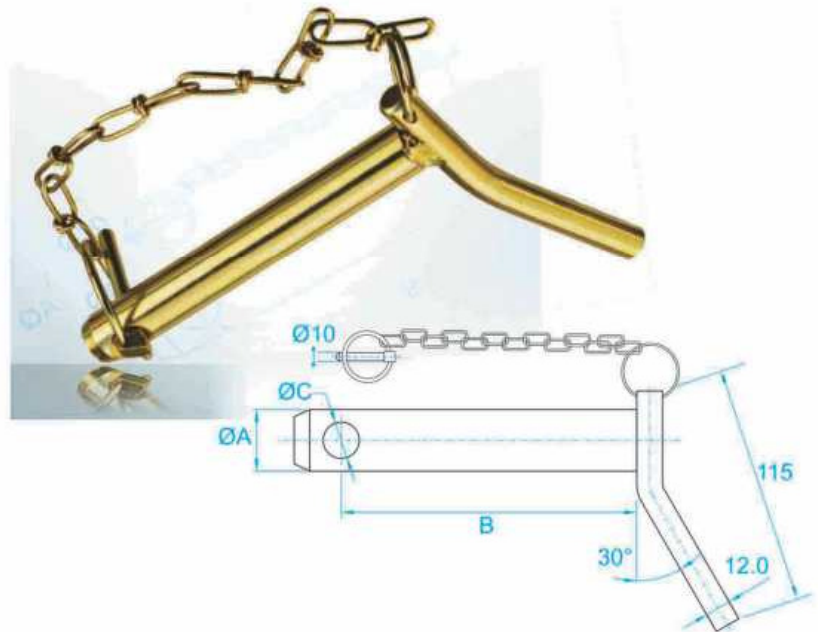
CODE	A	B	C	D	E	F	G	H	I
ELLP2824M	28	58	147	48	10	27x1.5	27	37	43
ELLP2825M	28	58	147	48	10	27x1.5	27	48	50
ELLP2826M	28	60	150	45	14	22x1.5	22	38	44
ELLP2827M	28	60	150	40	20	22x1.5	28	38	44
ELLP2828M	28	60	150	40	20	22x1.5	22	38	44
ELLP2829M	28	60	150	40	20	22x1.5	24	38	44
ELLP2830M	28	62	147	38	20	22x1.5	28	48	50
ELLP2831M	28	64	160	38	25	27x1.5	28	38	44
ELLP2832M	28	65	160	30	40	30x2	30	48	50
ELLP2833M	28	71	160	40	30	30x2	30	48	50
ELLP2834U	28.6	51	133.5	42	11	7/8" UNF	22	37	43
ELLP2835U	28	51	159	60	16	9/8" UNF	28.6	38	44
ELLP2836U	28.6	51	149	36.5	24	3/4" UNF	25.4	38	44
ELLP2837U	28.6	57	159	60	16	9/8" UNF	28.6	37	43
ELLP2838U	28.6	60	149	51	9.5	9/8" UNF	28.6	37	43
ELLP2839U	28.6	60	149	50.8	9.5	1" UNF	25.4	38	44
ELLP2840U	28.6	60	149	54	6.3	3/4" UNF	19	38	44
ELLP2841U	28.6	60	149	38	22	7/8" UNF	28.6	38	44
ELLP2842U	28.6	60	136.5	35	12.7	7/8" UNF	22	38	44
ELLP2843U	28.6	60	145	44	12.7	7/8" UNF	22	38	44
ELLP2844U	28.6	63.15	160	54	14	7/8" UNF	22.2	38	44
ELLP3645U	36	54	149	48	16	9/8" UNF	28.6	46	52
ELLP3646U	36.5	58	149	45	14	1.3/8" UNF	35	45	52
ELLP3647M	36.5	61	165	60	11	27x1.5	27	48	50





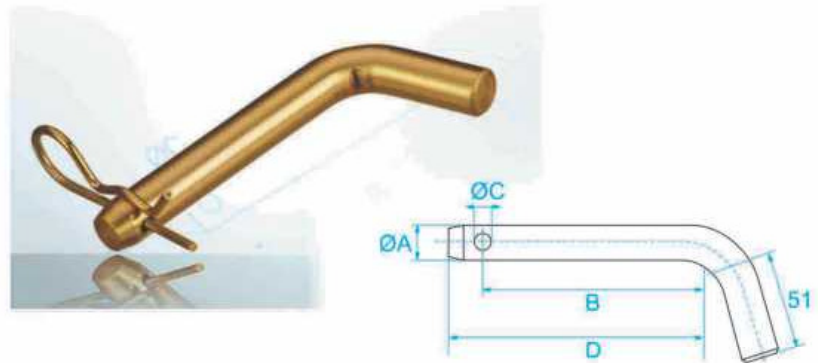
BENT HANDLE HITCH PIN PERNO CON MANIGLIA

CODE	A	B	C
EBHHP19123	19	123	12
EBHHP19135	19	135	12
EBHHP19175	19	175	12
EBHHP22123	22	123	12
EBHHP22135	22	135	12
EBHHP22175	22	175	12
EBHHP25123	25	123	12
EBHHP25135	25	135	12
EBHHP25175	25	175	12
EBHHP28135	28	135	12
EBHHP28175	28	175	12
EBHHP28123	28	123	12
EBHHP32175	32	175	12



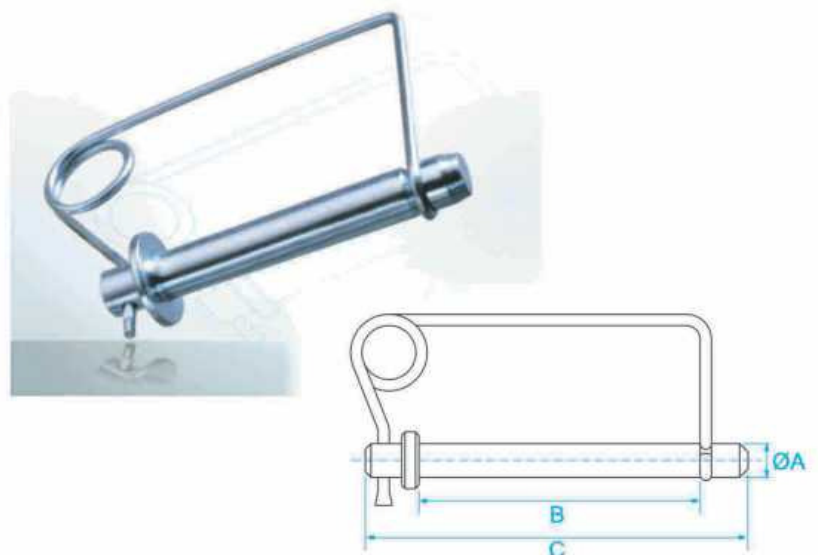
BENT TYPE HITCH PIN PERNO PIEGATO DEL TIPO

CODE	A	B	C	D
EBHP12076	12.7	76	4	85
EBHP16076	15.9	76	5	88
EBHP16089	15.9	89	5	102
EBHP19089	19	89	5	102
EBHP19099	19	99	5	111



WIRE LOCK HITCH PIN PERNO CON LA SERRATURA DEL LEGARE

CODE	A	B	C
EWLHP12102	12	102	140
EWLHP16102	16	102	140
EWLHP19102	19	102	140
EWLHP19152	19	152	190
EWLHP22152	22	152	190
EWLHP25152	25	152	190





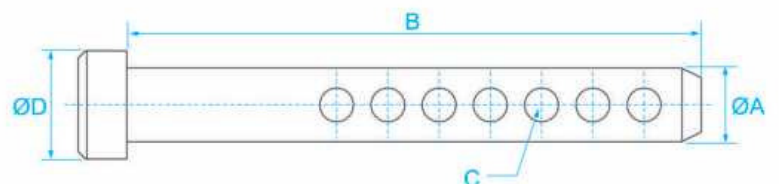
STANDARD CLEVIS PINS PERNO STANDARD

CODE	A	B	C	D
ESCP4516	4.5	16	2.5	9
ESCP6020	6	20	2.5	10
ESCP6025	6	25	2.5	10
ESCP8019	8	19	3	12
ESCP8024	8	24	3	12
ESCP8028	8	28	3	12
ESCP8032	8	32	3	12
ESCP8038	8	38	3	12
ESCP8045	8	45	3	12
ESCP1025	10	25	4	12
ESCP1032	10	32	4	14
ESCP1045	10	45	4	14
ESCP1132	11	32	4	15
ESCP1145	11	45	4	15
ESCP1238	12	38	4	16
ESCP1250	12	50	4	16



UNIVERSAL CLEVIS PINS PERNO DELLA FOR CELLA UNIVERSALE

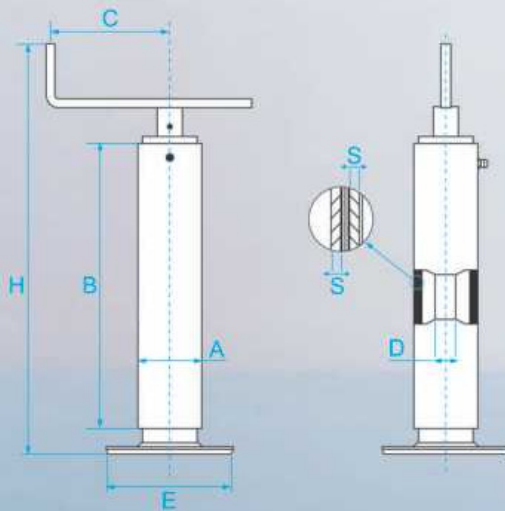
CODE	A	B	C	D	No. of Holes
EUCP6050	6	50	2.5	9	5
EUCP8050	8	50	3	12	5
EUCP1050	10	50	4	14	5
EUCP1150	11	50	4	15	5
EUCP1163	11	63	4	15	5
EUCP1176	11	76	4	15	7
EUCP1250	12	50	4	16	5
EUCP1263	12	63	4	16	7
EUCP1276	12	76	4	16	7
EUCP1676	16	76	5	20	7
EUCP1976	19	76	6	24	7





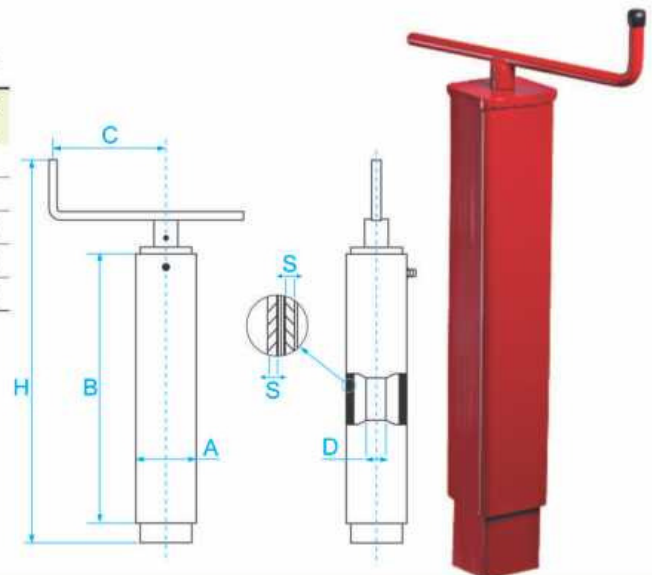
PARKING JACK "HEAVY TYPE"

CODE	Dim. A	Dim. B	Dim. C	E	H	S	D	Stroke	Static Cap.
E10101	40	300	115	95	440	2	18	150	400
E10102	40	400	115	95	540	2	18	250	400
E10103	40	500	115	95	640	2	18	350	400
E10105	50	300	135	160	480	3	22	150	800
E10106	50	400	135	160	580	3	22	250	800
E10107	50	500	135	160	680	3	22	350	800
E10108	50	600	135	160	780	3	22	500	800
E10109*	50	400	135	160	580	3	22	250	800
E10113	60	400	135	160	580	3	22	250	1000
E10114	60	500	135	160	680	3	22	350	1000
E10115	60	600	135	160	780	3	22	500	1000
E10116	60	700	135	160	880	3	22	500	1000
E10117*	60	500	135	160	680	3	22	350	1000
E10130*	70	400	180	160	580	3	28	300	1800
E10131*	70	500	180	160	680	3	28	400	1800
E10132*	70	600	180	160	780	3	28	500	1800
E10133*	70	700	180	160	880	3	28	500	1800
E10135*	80	400	180	220	590	3	28	300	2000
E10136*	80	500	180	220	690	3	28	400	2000
E10137*	80	600	180	220	790	3	28	500	2000
E10139*	100	500	180	220	690	4	28	400	2200
E10140*	100	700	180	220	890	4	28	500	2200



PARKING JACK "HEAVY TYPE" without footplate

CODE	Dim. A	Dim. B	Dim. C	H	S	D	Stroke	Static Cap.
E10102SP	40	400	115	535	2	18	250	400
E10106SP	50	400	135	565	4	22	250	800
E10113SP	60	400	135	1256	4	22	250	1000
E10131SP	70	500	180	665	4	28	400	1800
E10136SP	80	500	180	665	4	28	400	2000





Parking Jacks



Let's Win.... Together

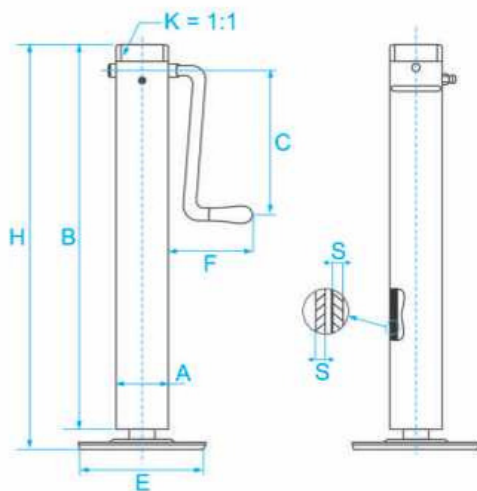
JOCKEY WHEEL PARKING JACK

CODE	A Pipe Diameter	Wheel Size	Pipe Length	B	C	D
EJW001	35	160x43	220	310	100	465
EJW002	42	200x50	195	390	120	590
EJW003	48	200x50	195	390	120	590
EJW004	48	250x85	175	420	150	625
EJW005	60	255x80	400	430	150	720
EJW006	60	220x70	500	560	350	1060



PARKING JACK WITH LATERAL HANDLE

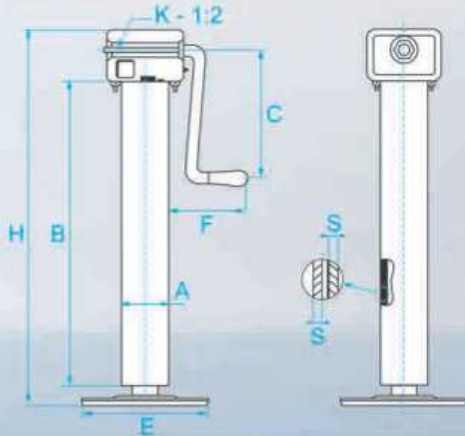
CODE	Dim. A	Dim. B	Dim. C	E	F	H	S	Stroke	Static Cap.
E10399*	60	550	170	160	150	565	3	350	1000
E10400	60	550	170	160	150	580	3	350	1000



PARKING JACK

"HEAVY TYPE" with Reduction Gear and Lateral Handle

CODE	Dim. A	Dim. B	Dim. C	E	F	H	S	Stroke	Static Cap.
E10402	70	500	220	220	185	620	3	400	3000
E10404	70	600	220	220	185	720	3	500	3000
E10406	70	700	220	220	185	820	3	500	3000
E10407	70	800	220	220	185	920	3	500	3000
E10403	80	500	220	220	180	620	3	400	3000
E10405	80	600	220	220	180	720	3	500	3000
E10408	80	800	220	220 <td 180	920	3	500	3000	

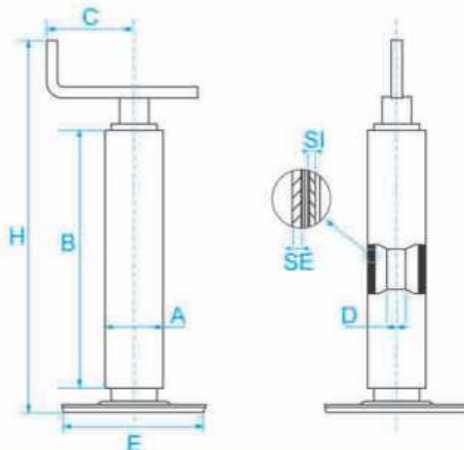


PARKING JACK "LIGHT TYPE"

CODE	Dim. A	Dim. B	Dim. C	E	H	SE	SI	D	Stroke	Static Cap.
E10102E	40	360	115	95	500	2	2	18	250	400
E10116E	60	660	115	160	840	3	2	18	450	700
E10122E	50	460	115	160	610	3	2	18	250	600
E10123E	50	560	115	160	710	3	2	18	350	600
E10126E	60	460	115	160	610	3	2	18	350	700
E10127E	60	560	115	160	710	3	2	18	450	700
E10131E*	70	460	180	160	640	3	3	22	350	1200
E10132E*	70	660	180	160	840	3	3	22	500	1200
E10133E*	70	660	180	160	840	3	3	22	500	1200

PARKING JACK "NORMAL TYPE"

CODE	Dim. A	Dim. B	Dim. C	E	H	SE	SI	D	Stroke	Static Cap.
E10120	50	260	115	160	410	3	2	18	150	600
E10121	50	360	115	160	510	3	2	18	250	600
E10122	50	460	115	160	610	3	2	18	250	600
E10123	50	560	115	160	710	3	2	18	350	600
E10125	50	360	115	160	510	3	2	18	250	700
E10126	50	460	115	160	610	3	2	18	250	700
E10127	50	560	115	160	710	3	2	18	450	700

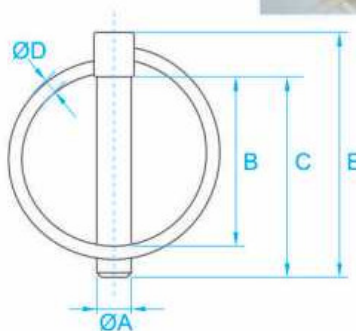




LINCH PINS

SPINE A SCATTO

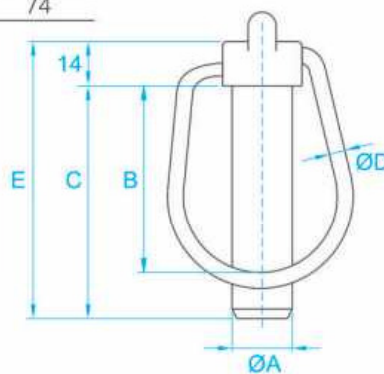
CODE	A	B	C	E	D
ELP45035	4.5	28.6	35	44	3
ELP45041	4.5	33	41	51	3
ELP47035	4.76	28.6	35	44	3
ELP60045	6	36.5	45	54	3.2
ELP60045HD	6	36.5	45	54	3.7Black
ELP63045	6.35	36.5	45	54	3.2
ELP70045	7	36.5	45	55	3.3
ELP80045	8	36.5	45	54	3.3
ELP80045HD	8	36.5	45	54	3.7Black
ELP90045	9	36.5	45	56	3.3
ELP95051	9.5	39	51	62	3.3
ELP10045	10	36.5	45	56	3.5
ELP11045	11	36.5	45	56	3.5
ELP11051HD	11	39	51	66	4.5Black
ELP11051	11	39	51	62	3.5



FORGED LINCH PINS

SPINE A SCATTO (FORGIATO)

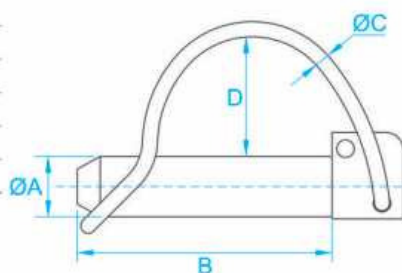
CODE	A	B	C	D	E
EFLP11	11	48	52	4	66
EFLP15	15	56	60	4	74



LINCH PIN FOR TUBE (Square Head)

SPINE A SCATTO PER TUBO

CODE	A	B	C	D
EPLP0640	6	40	3	18
EPLP0645	6	45	3	22
EPLP0840	8	40	3	18
EPLP0845	8	45	3	22
EPLP0850	8	50	3	25
EPLP1050	10	50	4	25
EPLP1058	10	58	4	25
EPLP1258	12	58	4	25

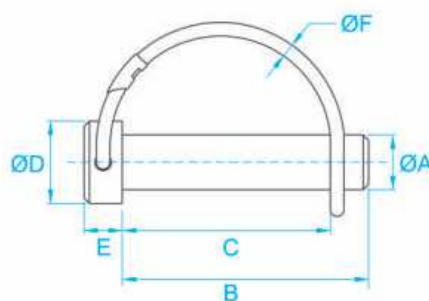




PTO PINS

SPINOTTIPER MOTOZAPPA

CODE	A	B	C	D	E	F
EPTO0638R	6	45	38	12	6	2.5
EPTO0658R	6	65	58	12	6	2.5
EPTO0838R	8	45	38	15	7	2.5
EPTO0858R	8	65	58	15	7	2.5
EPTO1038R	10	45	38	18	8	2.5
EPTO1058R	10	65	58	18	8	2.5



PTO PINS

SPINOTTIPER MOTOZAPPA

CODE	A	B	C	D	E	F
EPTO0645S	6	53	45	12	6	2.5
EPTO0657S	6	65	57	12	6	2.5
EPTO0857S	8	65	57	15	7	2.5
EPTO0863S	8	70	63	15	7	2.5
EPTO1057S	10	65	57	18	8	2.5
EPTO1063S	10	70	63	18	8	2.5
EPTO1070S	10	80	70	18	10	2.5

