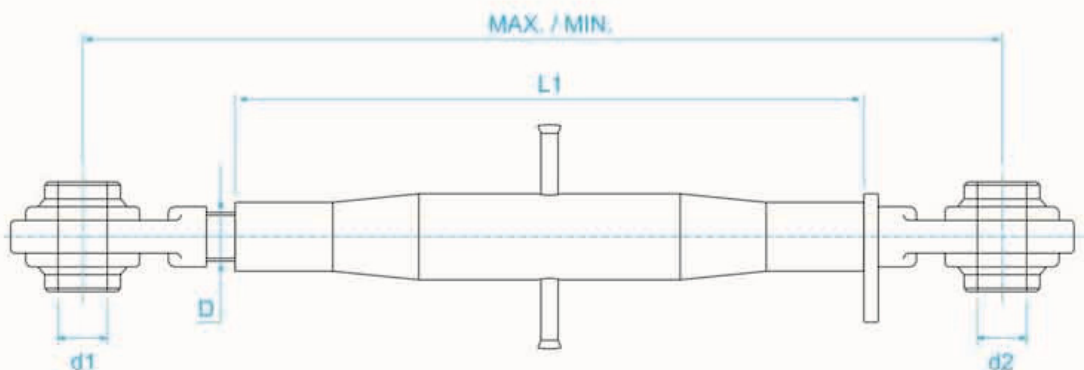
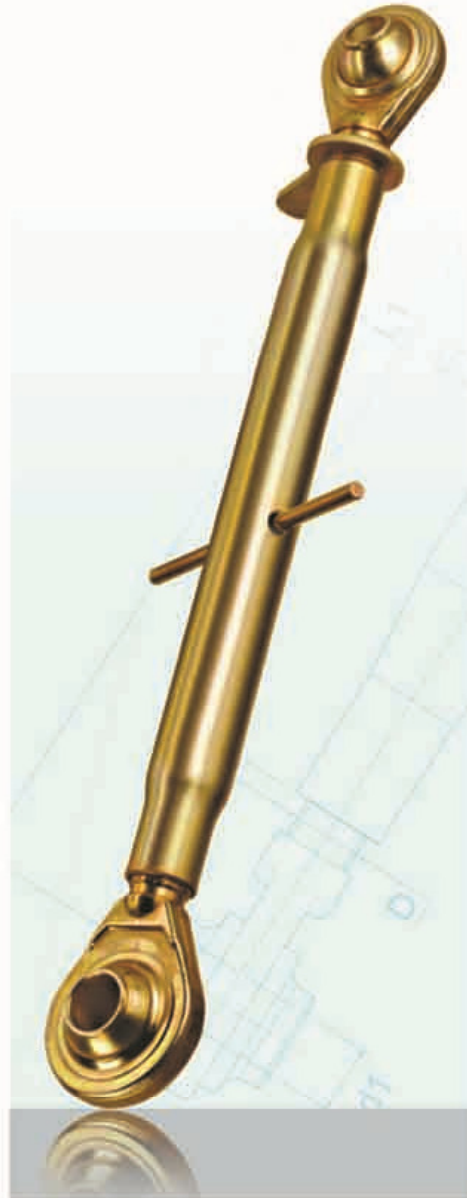




TOP LINK ASSEMBLIES

TOP LINK ASSEMBLIES BRACCIO 3 PUNTO COMPLETO

CODE	CAT d1 - d2	Pipe L1	Thread D	Min.	Max.
ETL1900190	0-0	7.1/2"	3/4 UNC	11"	16.3/8"
ETL1900248	0-0	9.3/4"	3/4 UNC	13.3/8"	18.5/8"
ETL2811178	1-1	7"	1.1/8 UNC	11.5/8"	14.3/4"
ETL2812178	1-2	7"	1.1/8 UNC	11.3/4"	15"
ETL2822178	2-2	7"	1.1/8 UNC	12"	15.1/8"
ETL2811228	1-1	9"	1.1/8 UNC	13.5/8"	18.3/4"
ETL2812228	1-2	9"	1.1/8 UNC	13.3/4"	19"
ETL2822228	2-2	9"	1.1/8 UNC	14"	19.1/4"
ETL2811260	1-1	11.1/4"	1.1/8 UNC	16"	24"
ETL2812260	1-2	11.1/4"	1.1/8 UNC	16.3/8"	24.1/4"
ETL2822260	2-2	11.1/4"	1.1/8 UNC	16.1/2"	24.3/8"
ETL2811330	1-1	13"	1.1/8 UNC	17.1/2"	26.3/4"
ETL2812330	1-2	13"	1.1/8 UNC	17.3/4"	27"
ETL2822330	2-2	13"	1.1/8 UNC	18.1/8"	27.1/8"
ETL2811368	1-1	14.1/2"	1.1/8 UNC	19"	27"
ETL2812368	1-2	14.1/2"	1.1/8 UNC	19.1/2"	27.1/8"
ETL2822368	2-2	14.1/2"	1.1/8 UNC	20"	31.1/2"
ETL2811406	1-1	16"	1.1/8 UNC	20.1/2"	28"
ETL2812406	1-2	16"	1.1/8 UNC	20.3/4"	28.3/8"
ETL2822406	2-2	16"	1.1/8 UNC	21"	32.1/2"
ETL2811438	1-1	17.1/4"	1.1/8 UNC	21.5/8"	29.3/8"
ETL2812438	1-2	17.1/4"	1.1/8 UNC	22"	29.1/2"
ETL2822438	2-2	17.1/4"	1.1/8 UNC	22.1/4"	33.7/8"
ETL2811508	1-1	20"	1.1/8 UNC	24.3/8"	32"
ETL2812508	1-2	20"	1.1/8 UNC	24.3/4"	32.1/4"
ETL2822508	2-2	20"	1.1/8 UNC	25"	36.3/8"
ETL2811610	1-1	24"	1.1/8 UNC	28.1/2"	36"
ETL2812610	1-2	24"	1.1/8 UNC	28.3/4"	36.1/4"
ETL2822610	2-2	24"	1.1/8 UNC	28.7/8"	40.1/2"
ETL3222380	2-2	15"	1.1/4 UNC	20"	30.7/8"
ETL3222482	2-2	19"	1.1/4 UNC	24"	35.1/4"





TOP LINK ASSEMBLIES

TOP LINK ASSEMBLIES BRACCIO 3 PUNTO COMPLETO

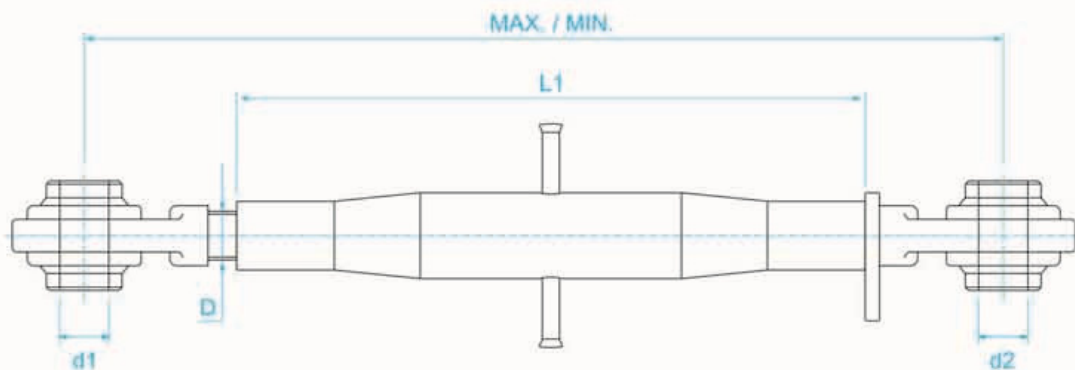
THREAD M 22 x 2.5

CODE	CAT d1 - d2	Pipe L1	Thread D	Min.	Max.
ETL2211180	1-1	180	M22 x 2.5	290	440
ETL2211220	1-1	220	M22 x 2.5	330	480
ETL2211230	1-1	230	M22 x 2.5	340	490
ETL2211300	1-1	300	M22 x 2.5	410	560
ETL2211280	1-1	280	M22 x 2.5	390	540

TOP LINK ASSEMBLIES BRACCIO 3 PUNTO COMPLETO

THREAD M 24 x 3

CODE	CAT d1 - d2	Pipe L1	Thread D	Min.	Max.
ETL2411120	1-1	120	M24 x 3	230	410
ETL2411140	1-1	140	M24 x 3	250	430
ETL2411150	1-1	150	M24 x 3	260	440
ETL2411165	1-1	165	M24 x 3	275	445
ETL2411180	1-1	180	M24 x 3	290	470
ETL2411200	1-1	200	M24 x 3	310	490
ETL2411230	1-1	230	M24 x 3	340	520
ETL2411250	1-1	250	M24 x 3	360	540
ETL2411270	1-1	270	M24 x 3	380	560
ETL2411300	1-1	300	M24 x 3	410	590
ETL2411330	1-1	330	M24 x 3	440	620
ETL2411370	1-1	370	M24 x 3	470	650
ETL2411400	1-1	400	M24 x 3	500	680
ETL2422350	2-2	350	M24 x 3	440	620
ETL2422400	2-2	400	M24 x 3	500	680

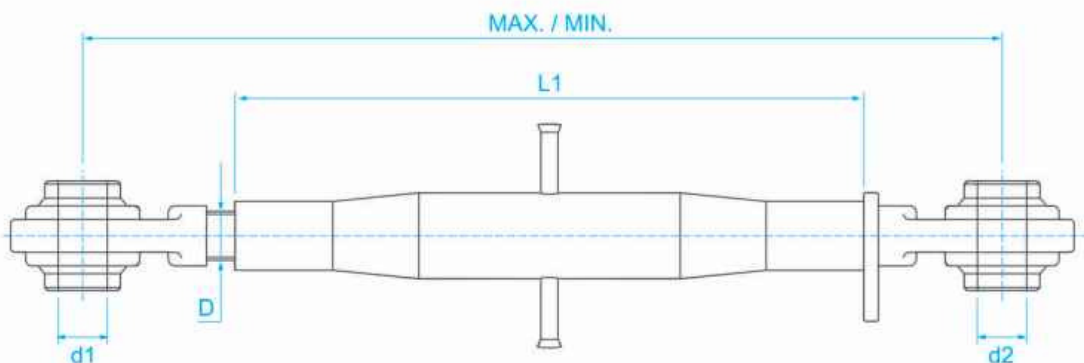




TOP LINK ASSEMBLIES

TOP LINK ASSEMBLIES BRACCIO 3 PUNTO COMPLETO THREAD M 27 x 3

CODE	CAT d1 - d2	Pipe L1	Thread D	Min.	Max.
ETL2711275	1-1	275	M27 x 3	395	625
ETL2722275	2-2	275	M27 x 3	395	645
ETL2711320	1-1	320	M27 x 3	440	670
ETL2712320	1-2	320	M27 x 3	440	680
ETL2722320	2-2	320	M27 x 3	440	690
ETL2711350	1-1	350	M27 x 3	470	700
ETL2712350	1-2	350	M27 x 3	470	710
ETL2722350	2-2	350	M27 x 3	470	720
ETL2711370	1-1	370	M27 x 3	490	720
ETL2712370	1-2	370	M27 x 3	490	730
ETL2722370	2-2	370	M27 x 3	490	740
ETL2711380	1-1	380	M27 x 3	500	730
ETL2712380	1-2	380	M27 x 3	500	740
ETL2722380	2-2	380	M27 x 3	500	750
ETL2711400	1-1	400	M27 x 3	520	750
ETL2712400	1-2	400	M27 x 3	520	760
ETL2722400	2-2	400	M27 x 3	520	770
ETL2711430	1-1	430	M27 x 3	550	780
ETL2712430	1-2	430	M27 x 3	550	790
ETL2722430	2-2	430	M27 x 3	550	800
ETL2711450	1-1	450	M27 x 3	570	800
ETL2712450	1-2	450	M27 x 3	570	810
ETL2722450	2-2	450	M27 x 3	570	820
ETL2711470	1-1	470	M27 x 3	590	820
ETL 2712470	1-2	470	M27 x 3	590	830
ETL 2722470	2-2	470	M27 x 3	590	840
ETL 2711500	1-1	500	M27 x 3	620	850
ETL 2712500	1-2	500	M27 x 3	620	860
ETL 2722500	2-2	500	M27 x 3	620	870
ETL 2722550	2-2	550	M27 x 3	670	920
ETL 2722570	2-2	570	M27 x 3	690	940

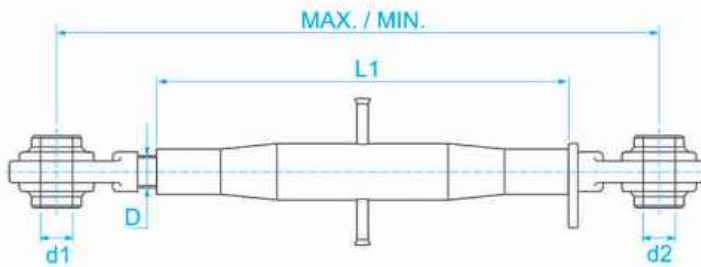


TOP LINK ASSEMBLIES



TOP LINK ASSEMBLIES BRACCIO 3 PUNTO COMPLETO THREAD M 30 x 3 (HEAVY DUTY PIPE)

CODE	CAT d1 - d2	Pipe L1	Thread D	Min.	Max.
ETL3022330H	2-2	330	M30 x 3	460	700
ETL3022370H	2-2	370	M30 x 3	500	740
ETL3022400H	2-2	400	M30 x 3	530	770
ETL3022450H	2-2	450	M30 x 3	580	820
ETL3022500H	2-2	500	M30 x 3	630	870
ETL3022600H	2-2	600	M30 x 3	730	970



TOP LINK ASSEMBLIES BRACCIO 3 PUNTO COMPLETO THREAD M 30 x 3

CODE	CAT d1 - d2	Pipe L1	Thread D	Min.	Max.
ETL3011370	1-1	370	M30 x 3	500	720
ETL3012370	1-2	370	M30 x 3	500	730
ETL3022370	2-2	370	M30 x 3	500	740
ETL3011400	1-1	400	M30 x 3	530	750
ETL3012400	1-2	400	M30 x 3	530	760
ETL3022400	2-2	400	M30 x 3	530	770
ETL3011450	1-1	450	M30 x 3	580	800
ETL3012450	1-2	450	M30 x 3	580	810
ETL3022450	2-2	450	M30 x 3	580	820
ETL3022460	2-2	460	M30 x 3	590	830
ETL3011500	1-1	500	M30 x 3	630	850
ETL3012500	1-2	500	M30 x 3	630	860
ETL3022500	2-2	500	M30 x 3	630	880
ETL3022520	2-2	520	M30 x 3	650	900
ETL3022550	2-2	550	M30 x 3	650	930
ETL3022560	2-2	560	M30 x 3	690	940
ETL3022600	2-2	600	M30 x 3	730	980
ETL3022650	2-2	650	M30 x 3	780	1030
ETL3022700	2-2	700	M30 x 3	830	1080
ETL3022720	2-2	720	M30 x 3	880	1100



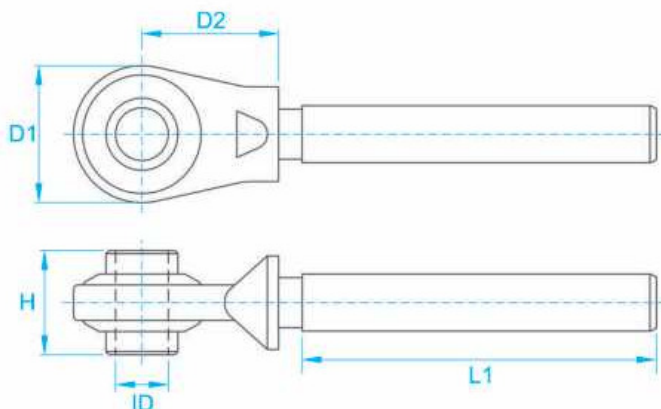


TOP LINK END

TOP LINK END (UNC)

TIRANTI FILETTATI CON ROTULA SFERICA

CODE	CAT	ID	Thread	L1	D1	D2	H
ETLER00	0	16	3/4 UNCR	105	47	30	25.4
ETLEL00	0	16	3/4 UNCL	105	47	30	25.4
ETLER11	1	19	1.1/8 UNCR	155	58	53	44
ETLEL11	1	19	1.1/8 UNCL	155	58	53	44
ETLER20	2	25.4	1.1/8 UNCR	190	66	58	51
ETLEL20	2	25.4	1.1/8 UNCL	190	66	58	51
ETLER22	2	25.4	1.1/8 UNCR	180	76	66	51
ETLEL22	2	25.4	1.1/8 UNCL	180	76	66	51



TOP LINK END (MM)

TIRANTI FILETTATI CON ROTULA

CODE	CAT	ID	Thread	L1	D1	D2	H
ETLE22R01	1	19	M22 x 2.5R	95	50	58	44
ETLE22L01	1	19	M22 x 2.5L	95	50	58	44
ETLE22R02	1	19	M22 x 2.5R	120	50	58	44
ETLE22L02	1	19	M22 x 2.5L	120	50	58	44
ETLE24R03	1	19	M24 x 3R	60	50	58	44
ETLE24L03	1	19	M24 x 3L	60	50	58	44
ETLE24R04	1	19	M24 x 3R	85	50	58	44
ETLE24L04	1	19	M24 x 3L	85	50	58	44
ETLE24R05	1	19	M24 x 3R	120	50	58	44
ETLE24L05	1	19	M24 x 3L	120	50	58	44
ETLE24R06	1	19	M24 x 2.5R	120	50	58	44
ETLE24L06	1	19	M24 x 2.5L	120	50	58	44
ETLE27R07	1	19	M27 x 3R	120	50	58	44
ETLE27L07	1	19	M27 x 3L	120	50	58	44
ETLE27R08	1	19	M27 x 3R	155	50	58	44
ETLE27L08	1	19	M27 x 3L	155	50	58	44
ETLE27R09	2	25.4	M27 x 3R	135	56	66	51
ETLE27L09	2	25.4	M27 x 3L	135	56	66	51



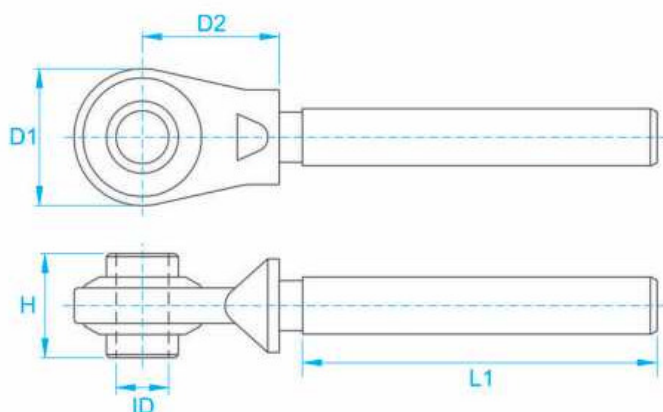


TOP LINK END

TOP LINK END (MM)

TIRANTI FILETTATI CON ROTULA

CODE	CAT	I D	Thread	L1	D1	D2	H
ETLE27R10	2	25.4	M27 x 3R	190	56	66	51
ETLE27L10	2	25.4	M27 x 3L	190	56	66	51
ETLE27R11	2	25.4	M27 x 3R	190	56	66	42
ETLE27L11	2	25.4	M27 x 3L	190	56	66	42
ETLE30R12	2	25.4	M30 x 3.5R	75	56	75	51
ETLE30L12	2	25.4	M30 x 3.5L	75	56	75	51



TOP LINK END (MM)

TIRANTI FILETTATI CON ROTULA

CODE	CAT	I D	Thread	L1	D1	D2	H
ETLE30L14	1	19	M30 x 3.5L	120	60	62	44
ETLE30R14	1	19	M30 x 3.5R	120	60	62	44
ETLE30L15	2	25.4	M30 x 3.5L	120	56	75	51
ETLE30R15	2	25.4	M30 x 3.5R	120	56	75	51
ETLE30L16	1	19	M30 x 3.5L	170	60	62	44
ETLE30R16	1	19	M30 x 3.5R	170	60	62	44
ETLE30L17	2	25.4	M30 x 3.5L	180	56	75	51
ETLE30R17	2	25.4	M30 x 3.5R	180	56	75	51
ETLE30L18	1	19	M30 x 3L	170	60	62	44
ETLE30R18	1	19	M30 x 3R	170	60	62	44
ETLE30L19	2	25.4	M30 x 3L	180	56	75	51
ETLE30R19	2	25.4	M30 x 3R	180	56	75	51



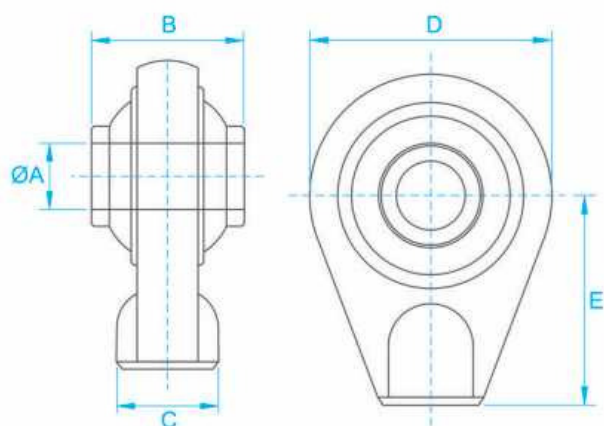


WELD ON END

WELD ON END

SUPPORTI CON ROTULA SFRICA

CODE	A	B	C	D	E
EWOET01	19.2	44	25	53	48
EWOET02	20.2	44	25	53	48
EWOET03	19.2	44	25	53	48
EWOET04	19.2	44	26	55	65
EWOET05	19.2	44	30	62	34
EWOET06	20.2	44	30	62	34
EWOET07	22.1	44	30	62	34
EWOET08	19.2	44	34	62	60
EWOET09	22.1	44	34	62	60
EWOET10	20.2	44	34	62	60
EWOET11	19.2	44	30	62	50
EWOET12	20.2	44	30	62	50
EWOET13	22.1	44	34	62	58
EWOET14	19.2	44	34	62	58
EWOET15	19.2	35	26	62	55
EWOET16	22.1	35	26	62	55
EWOET17	19.2	51	38	75	65
EWOET18	25.2	51	38	75	65
EWOET19	30.2	51	38	75	65
EWOET20	19.2	51	45	72	70
EWOET21	22.1	51	45	72	70
EWOET22	25.4	51	45	72	70
EWOET23	30.2	51	45	72	70
EWOET24	25.4	51	38	90	85
EWOET25	30.2	51	38	90	85
EWOET26	19.2	51	50	85	70
EWOET27	25.4	51	50	85	70
EWOET28	25.4	51	50	83	65
EWOET29	30.2	42	50	83	65
EWOET30	30.2	55	50	83	65
EWOET31	35.2	35	50	83	65
EWOET32	35.2	55	50	83	65
EWOET33	30.2	55	50	92	65
EWOET34	30.2	44	50	92	65
EWOET35	35.2	35	50	92	65



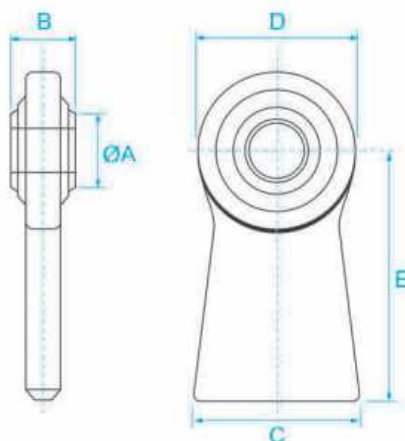


WELD ON END

WELD ON END

SUPPOTI CON RITULA SFERICA

CODE	A	B	C	D	E
EWOEL01	16.2	20	30	46	60
EWOEL02	19.2	44	50	52	50
EWOEL03	20.2	44	50	52	50
EWOEL04	19.2	35	50	65	43
EWOEL05	22.1	35	50	65	43
EWOEL06	22.1	35	70	76	50
EWOEL07	25.4	35	70	76	50
EWOEL08	28.2	35	70	76	50
EWOEL09	22.1	35	70	83	55
EWOEL10	25.4	35	70	83	55
EWOEL11	28.2	35	70	83	55
EWOEL12	28.2	45	70	83	55
EWOEL13	25.4	35	70	80	80
EWOEL14	28.2	35	70	80	80
EWOEL15	28.2	45	70	80	80
EWOEL16	22.1	45	70	80	65
EWOEL17	25.4	45	70	80	65
EWOEL18	28.4	45	70	80	65
EWOEL19	30.2	45	70	80	65
EWOEL20	28.2	45	70	96	65
EWOEL21	34.4	45	70	96	65
EWOEL22	35.2	45	70	96	65
EWOEL23	37.4	45	70	96	65
EWOEL24	19.2	35	56	67	50
EWOEL25	22.1	35	56	67	50
EWOEL26	25.4	35	56	67	50
EWOEL27	22.1	35	58	67	75
EWOEL28	25.1	45	70	80	80
EWOEL29	28.2	45	90	106	90
EWOEL30	30.2	45	90	106	90
EWOEL31	34.4	45	90	106	90
EWOEL32	35.2	45	90	106	90
EWOEL33	37.4	45	90	106	90
EWOEL34	38.4	45	90	106	90
EWOEL35	28.4	45	70	80	110



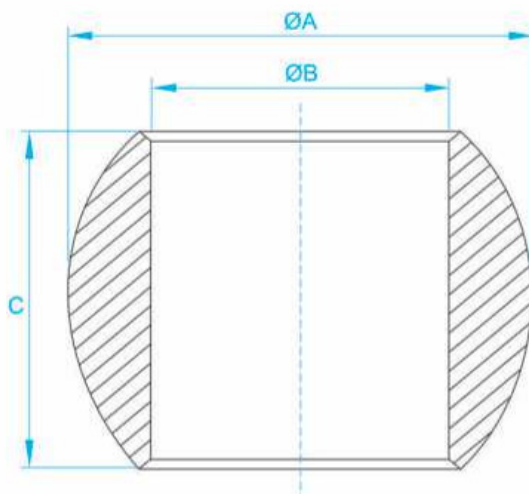


BALLS



LOWER LINK BALLS ROTULA PER BRACCIO INFERIORE

CODE	A	B	C
ELLB441935	44.5	19	35
ELLB442235	44	22.1	35
ELLB452235	44.5	22.1	35
ELLB462833	46	28.4	33.5
ELLB482235	48	22.1	35
ELLB482535	48	25.4	35
ELLB502540	50	25.4	40
ELLB502940	50	29	40
ELLB503825	50.8	38	25
ELLB543555	54	35	55
ELLB562235	56	22.1	35
ELLB562245	56	22.1	45
ELLB562535	56	25.4	35
ELLB562835	56	28.4	35
ELLB562838	56	28.4	38
ELLB562845	56	28.4	45
ELLB562945	56	28.6	45
ELLB572945	56.5	28.6	45
ELLB572845	56.8	28.4	44.8
ELLB572235	57	22.1	35
ELLB572535	57	25.4	35
ELLB572538	57	25.4	38
ELLB572835	57	28.4	35
ELLB572838	57	28.4	38
ELLB572842	57	28.4	42
ELLB572844	57	28.4	44.5
ELLB602551	60	25.4	51
ELLB622845	62.5	28.6	45
ELLB623745	62.5	37	45
ELLB633745	63.5	37	45
ELLB642245	64	22	45
ELLB642845	64	28.4	45
ELLB643845	64	38	45
ELLB643045	64	30.5	45
ELLB643245	64	32.5	45
ELLB643545	64	35.5	45
ELLB643745	64	37.5	45





BALLS

Let's Win... Together

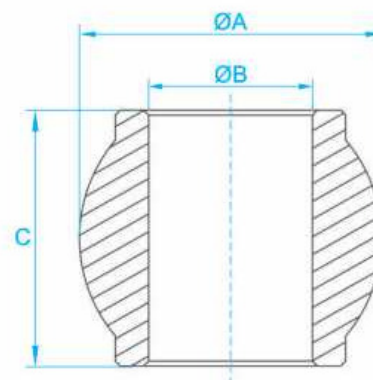
JRS



TOP LINK BALLS

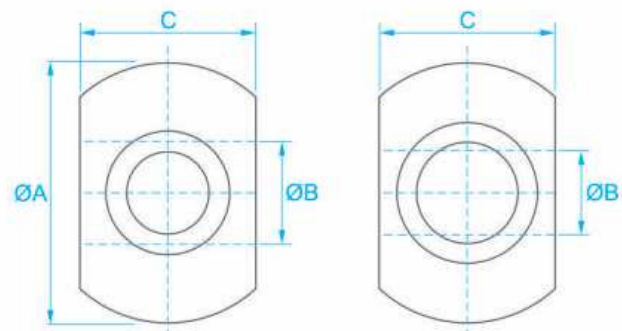
ROTULA PER GANCIO SUPERIORE

CODE	A	B	C
ETLB321625	32	16	25.4
ETLB381525	38	15.9	25.4
ETLB381941	38	19	41
ETLB381944	38	19	44
ETLB382044	38	20	44
ETLB461944	46	19	44
ETLB462044	46	20	44
ETLB462541	46	25.4	41
ETLB462544	46	25.4	44
ETLB462545	46	25.4	45
ETLB462551	46	25.4	51
ETLB502251	50	22.1	51
ETLB502544	50	25.4	44
ETLB502551	50	25.4	51
ETLB511944	50.8	19	44
ETLB512544	50.8	25.4	44.5
ETLB512844	50.8	28.4	44.5
ETLB542551	54	25.4	51
ETLB543055	54	30	55
ETLB543251	54	32	51
ETLB543555	54	35	55
ETLB602551	60	25.4	51
ETLB603151	60	31.7	51
ETLB602550	60	25.4	50
ETLB603250	60	32.5	50



BALL (DOUBLE BORE) ROTULE DI RICAMBIO

CODE	A	B	C
EBDB2228	56	22.1/28.7	44.5





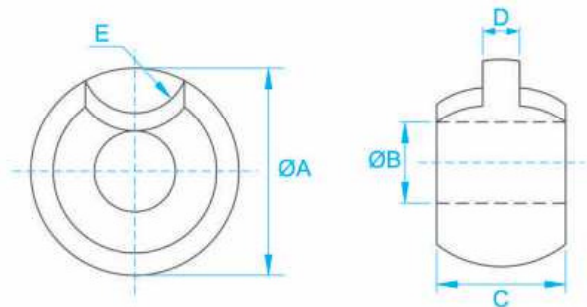
BALLS

Let's Win... Together



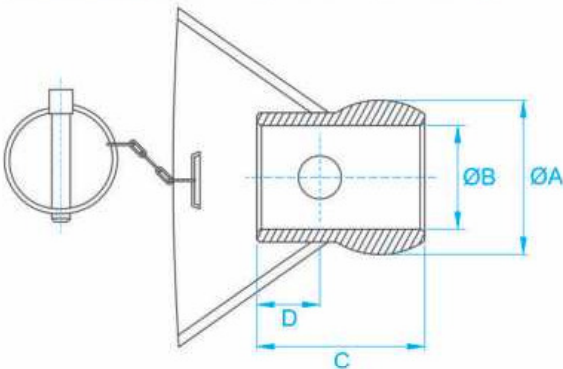
BALL WITH CUT ROTULA PER BRACCIOINFERIORE

CODE	A	B	C	D	E
EBWC22	56.5	22	35	10	R35
EBWC28	56.5	28.6	44.5	10	R35



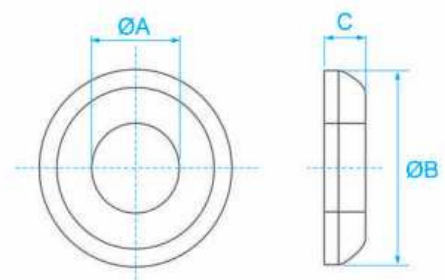
GUIDE CONE BALL CONI GUIDA CON ROTULA

CODE	A	B	C	D
EGCB5628	56	28.4	68	20
EGCB5637	56	37.6	68	20
EGCB6428	64	28.4	72	20
EGCB6432	64	32.5	72	20
EGCB6437	64	37	72	20



SPACERS DISTANZIALIPER ROTULE SENZA CONO

CODE	A	B	C
ES2856	28	56	7
ES2864	28	64	7
ES3864	38	64	7





BALLS

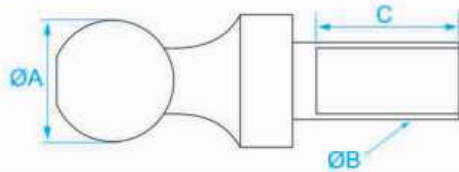


Let's Win...Together

HITCH BALL

ATTACCO A SFERA

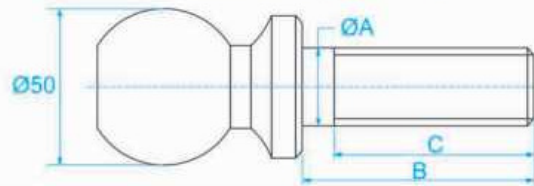
CODE	Max. Load	ØA Inch	Thread ØB Inch	Length C Inch
EHB54 - 01	2000	1-7/8	3/4	1-3/4
EHB54 - 02	3500	2	3/4	1-3/4
EHB54 - 03	5000	2	1	2-1/8
EHB54 - 04	7500	2-5/16	1-1/4	2-1/8



HITCH BALL

ATTACCO A SFERA

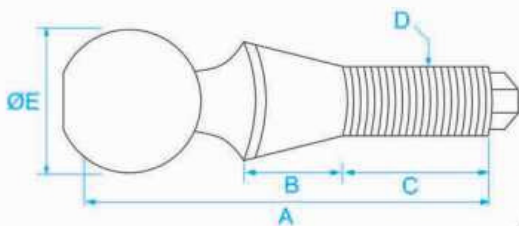
CODE	ØA	B	C
EHB54 - 08	19	70	57
EHB54 - 09	22	70	57
EHB54 - 10	25.4	70	57



HITCH BALL

ATTACCO A SFERA

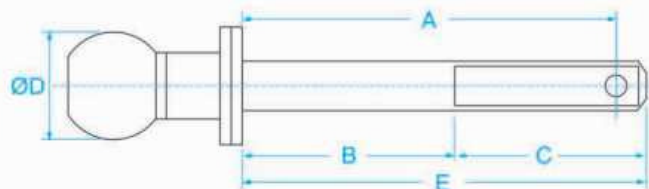
CODE	Dim. A mm	Dim. B mm	Dim. C mm	Thread D mm	ØE mm
EHB54 - 05	210.3	50.8	76.2	1.1/2-12UNF	58.73



HITCH BALL

ATTACCO A SFERA

CODE	Dim. A mm	Dim. B mm	Dim. C mm	ØD mm	Dim. E mm	Thread Size
EHB54 - 06	162	100	90	50	190	7/8"
EHB54 - 07	162	100	90	50	190	1"





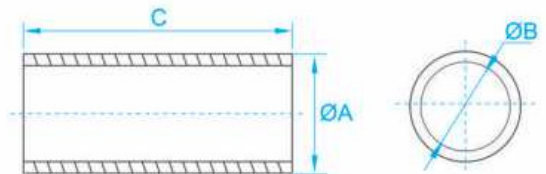
BUSHES

Let's Win... Together



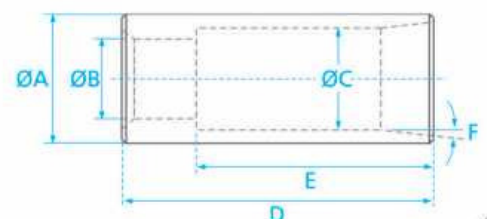
REPLACEMENT BUSHES BUSSOLE DI RIDUZIONE

CODE	ØA mm	ØB mm	C mm
ERB191641	19	16	41
ERB221635	22	16	35
ERB251941	25.4	19	41
ERB251951	25.4	19	50.8
ERB282245	28.4	22.2	44.5
ERB282263	28.4	22.2	63
ERB282235	28.6	22.2	35
ERB282244	28.6	22.2	44
ERB282251	28.6	22.2	50.8
ERB322551	32	25.4	50.8
ERB362845	36.5	28.6	44.5



TINE BUSHES

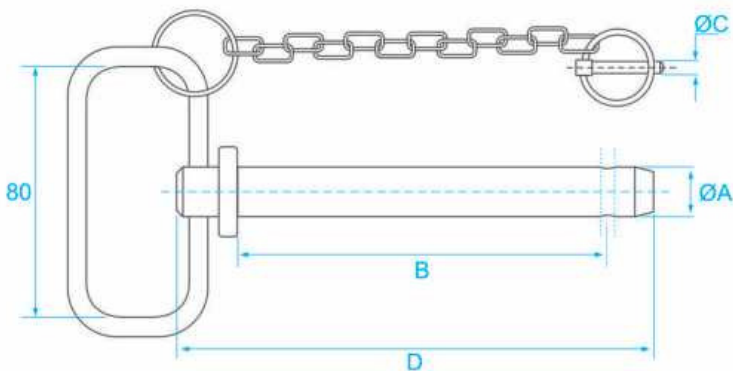
CODE	Outer ØA mm	Inner ØB mm	Inner ØC mm	Length D mm	Depth E mm	Angle F Ship	Weight kg.
E25TIB024	38	25.4	31	95	74	4°30'	0.3
E25TIB008	40	23	25	105	78	5°	0.45
E25TIB006	41	24	32	110	79	5°	0.51
E25TIB007	41	24	32	110	79	5°	0.6
E25TIB003	41	25.4	30	108	80	5°30'	0.5
E25TIB018	45	25	0	110	0	5°	0.765
E25TIB010	50	23	29	110	85	6°	1.8
E25TIB009	50	25	29	110	85	6°	1.08
E25TIB016	50	28	0	105	0	10°	1.05
E25TIB004	50	30	36	108	80	5°30'	0.76
E25TIB011	50	30	39	110	84	6°	1.63
E25TIB025	51	25	32	110	109	5°30'	1.085
E25TIB005	51	30	38	110	86	5°	0.755
E25TIB012	55	32	0	120	0	4°30'	1.24
E25TIB002	57	12.59	40	120	105	5°30'	0
E25TIB047	33	0	14	63	46	3°	0.292
E25TIB048	33	0	16.5	63	48	1.5°	0.281
E25TIB049	33	0	16.5	63	48	1.5°	0.263
E25TIB050	33	0	16.5	63	48	1.5°	0.281
E25TIB051	33	0	16.5	63	48	1.5°	0.256
E25TIB052	45	22	28	97	75	5°	1.27
E25TIB053	50	32	39	110	84	5.5°	1.02
E25TIB054	60	32	39	110	84	5.5°	1.8





HITCH PIN WITH CHAIN & LINCH PIN SPINOTTO D' ATTACCO

CODE	A	B	C	D
EHPWLP12093	12.7	92.5	6.5	127
EHPWLP12111	12.7	111	6.5	146
EHPWLP16103	15.9	103	6.5	136
EHPWLP16111	15.9	111	6.5	146
EHPWLP16165	15.9	165	6.5	200
EHPWLP19102	19	102	6.5	140
EHPWLP19110	19	110	6.5	147
EHPWLP19111	19	111	8.5	148
EHPWLP19115	19	115	12	153
EHPWLP19164	19	165	8.5	200
EHPWLP19165	19	165	6.5	204
EHPWLP19166	19	165	8.5	204
EHPWLP22115	22	115	6.5	153
EHPWLP22128	22	128	6.5	168
EHPWLP22164	22	165	6.5	200
EHPWLP22165	22	165	10	204
EHPWLP25165	25	165	10	204
EHPWLP25166	25	165	6.5	204
EHPWLP25189	25	189	12	227
EHPWLP28100	28	100	12	138
EHPWLP28120	28	120	10	158
EHPWLP28156	28	156	12	196
EHPWLP28165	28	165	6.5	204
EHPWLP28190	28	190	6.5	228
EHPWLP28189	28	189	12	228
EHPWLP30183	30	183	12	220
EHPWLP32162	32	162	6.5	204
EHPWLP32189	32	189	12	227
EHPWLP32165	32	165	10	204
EHPWLP32191	32	191	6.5	228
EHPWLP35189	35	189	12	227
EHPWLP38187	38	187	12	227

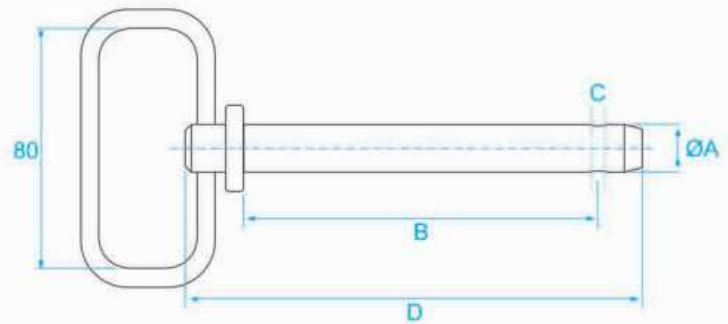




HITCH PIN

SPINOTTO D' ATTACCO

CODE	A	B	C	D
EHP12089	12.7	89	4	127
EHP12102	12.7	102	4	136
EHP12108	12.7	108	5	144
EHP12114	12.7	114	5	150
EHP16089	15.9	89	5	127
EHP16102	15.9	102	5	136
EHP16108	15.9	108	5	144
EHP16114	15.9	114	5	150
EHP16127	15.9	127	6	165
EHP16152	19	152	6	192
EHP19102	19	102	8	136
EHP19108	19	108	8	144
EHP19114	19	114	8	150
EHP19127	19	127	8	165
EHP19140	19	140	8	178
EHP19152	19	152	8	190
EHP19158	22	158	8	196
EHP22108	22	108	10	144
EHP22114	22	114	10	150
EHP22127	22	127	10	165
EHP22152	22	152	10	190
EHP22158	22	158	10	198
EHP22165	22	165	10	204
EHP25108	25.4	108	10	144
EHP25114	25.4	114	10	150
EHP25152	25.4	152	10	190
EHP25158	25.4	158	10	204
EHP25165	25.4	165	10	228
EHP25190	25.4	190	10	150
EHP28114	28	114	12	190
EHP28152	28	152	12	198
EHP28158	28	158	12	198
EHP28165	28	165	12	204
EHP28190	28	190	12	228
EHP32152	32	152	12	190
EHP32158	32	158	12	198
EHP32165	32	165	12	204
EHP32190	32	190	12	230
EHP35190	35	190	12	230
EHP38190	38	190	12	230



ORANGE HITCH PIN WITH HAIR PIN

SPINOTTO D' ATTACCO

CODE	A	B	C	D
EOHP16155	16	155	4	192
EOHP19104	19	104	5	141
EOHP19162	19	162	5	199
EOHP22168	22	168	5	205
EOHP25175	25.4	175	6	212

